

*the Barista Touch™*



**BSS**



**BTR**



**SHY**



**BKS**



**SST**



**BST**

01	SP0024380	BEAN HOPPER ASSMEBLY	BES880 ALL COLOURS	GBR, EU, CHE, TUR	
01.9	SP0024381	BEAN HOPPER LID ASSEMBLY	BES880 ALL COLOURS	GBR, EU, CHE, TUR	
02	SP0022894	TOP COVER ASS'Y	BES880BSS	ARE, AUS, MYS, NZL, GBR, EU, CHE, TUR, HKG, KOR, SAU, ZAF	
02	SP0026188	TOP COVER ASS'Y	BES880BKS	GBR, EU	
02	SP0025806	TOP COVER ASS'Y	BES880BTR	AUS, GBR, NZL, CHE, EU	
02	SP0025807	TOP COVER ASS'Y	BES880SHY	GBR, EU	
02	SP0025808	TOP COVER ASS'Y	BES880SST	EU, GBR	
02	SP0101453	PANEL KIT TOP 240V BST	BES880BST	AUS, NZL, GBR, EU	
03	SP0100312	CONTROL PCBA ASSY SAGE LOGO B1.1* BST 240V	BES880BST	GBR, EU	
03	SP0024386	CONTROL PCB ASS'Y /A PRE PDC1933	BES880BSS	EU, CHE	Once it runs out, use SP0027399 VERSION B WHICH IS SW B1.1
03	SP0027399	CONTROL PCB ASS - BSS B1.1 FROM PDC1933	BES880BSS	EU	Once it runs out, use SP0100307
03	SP0100307	CONTROL PCBA ASSY SAGE LOGO B1.1* BSS 240V FROM 2032 PDC	BES880BSS	EU, GBR, CHE	
03	SP0025810	CONTROL PCB ASS'Y /A	BES880BTR	GBR, EU	
03	SP0025811	CONTROL PCB ASS'Y /A	BES880SHY	GBR, EU	
03	SP0025812	CONTROL PCB ASS'Y /A	SES880SST	GBR, EU	
03	SP0027400	CONTROL PCB ASS - BKS B1.1 FROM PDC1933	BES880BKS	EU	Once it runs out, use SP0100311
03	SP0100311	CONTROL PCBA ASSY SAGE LOGO B1.1* BKS 240V FROM 2032 PDC	BES880BKS	GBR, EU	
03	SP0025813	CONTROL PCB ASS'Y /A PRE PDC 1933	BES880BTR	CHE, EU	Once it runs out, use SP0027401 VERSION B SW B1.1
03	SP0027401	CONTROL PCB ASS - BTR B1.1 FROM PDC1933	BES880BTR	EU	Once it runs out, use SP0100308
03	SP0100308	CONTROL PCBA ASSY SAGE LOGO B1.1* BTR 240V FROM 2032 PDC	BES880BTR	GBR, EU, CHE	
03	SP0025814	CONTROL PCB ASS'Y /A PRE PDC 1933	BES880SHY	EU	Once it runs out, use SP0027402 VERSION B SW B1.1
03	SP0027402	CONTROL PCB ASS - SHY B1.1 FROM PDC1933	BES880SHY	EU	Once it runs out, use SP0100309
03	SP0100309	CONTROL PCBA ASSY SAGE LOGO B1.1* SHY 240V FROM 2032 PDC	BES880SHY	EU, GBR	
03	SP0025815	CONTROL PCB ASS'Y /A	BES880SST	EU, GBR	Once it runs out, use SP0027403 VERSION B SW B1.1
03	SP0027403	CONTROL PCB ASS - SST B1.1 FROM PDC1933	BES880SST	EU, GBR	Once it runs out, use SP0100310
03	SP0100310	CONTROL PCBA ASSY SAGE LOGO B1.1* SST 240V FROM 2032 PDC	BES880SST	EU, GBR	
04.6	SP0001558	PORTAFILTER LOCATOR ASSEMBLY	BES880 ALL COLOURS	ARE, AUS, CAN, MEX, MYS, NZL, USA, GBR, EU, CHE, HKG, KOR, SAU, ZAF, TUR, RUS	
05.1	SP0022964	BASE COVER ASSEMBLY (SCREW COLUMN ASYMMETRY)	BES880 ALL COLOURS	ARE, AUS, CAN, MEX, MYS, NZL, USA, GBR, EU, CHE, HKG, KOR, SAU, ZAF, TUR, RUS	

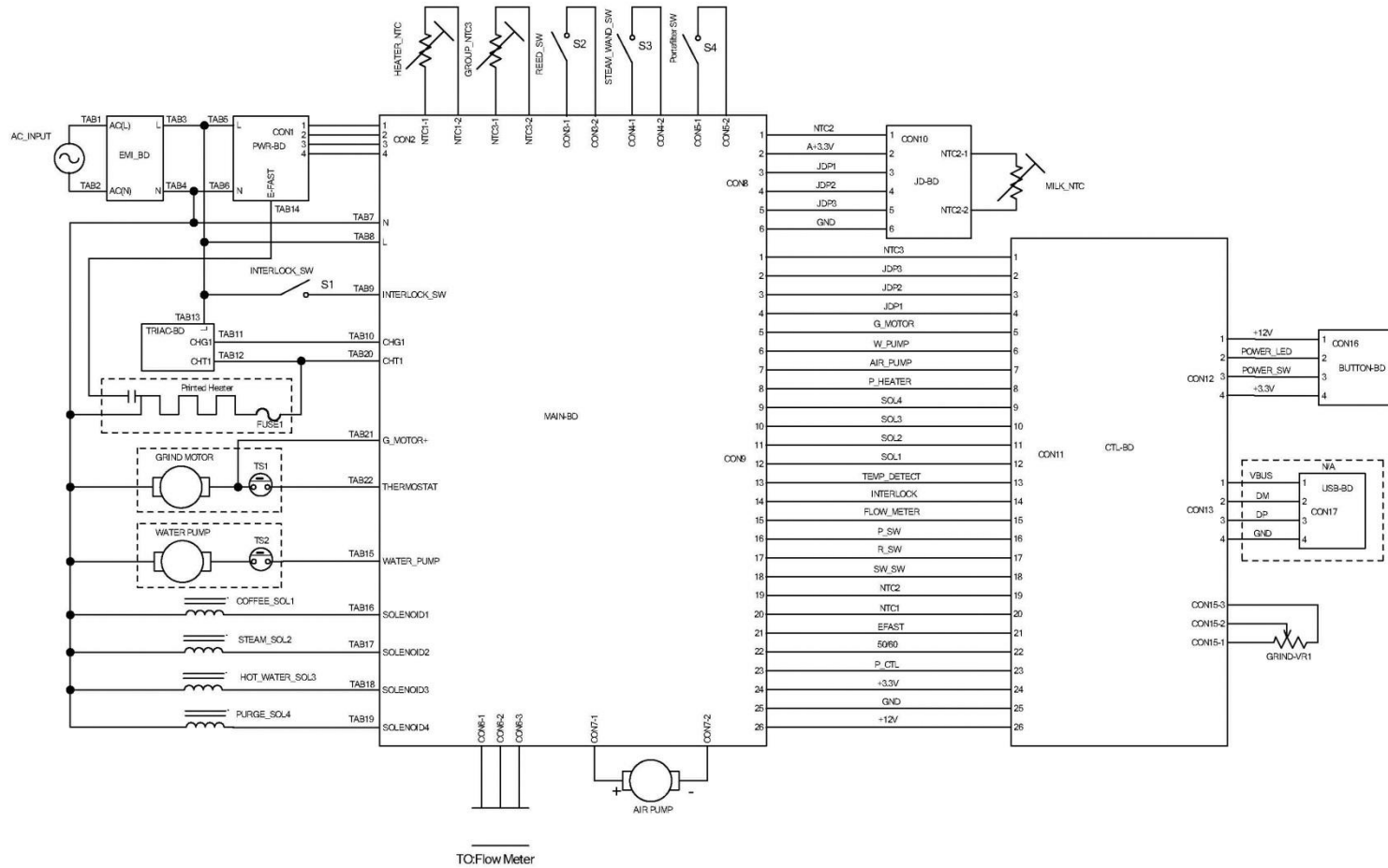
05.3	SP0022898	FOOT BRACKET RIGHT ASS'Y	BES880 ALL COLOURS	ARE, AUS, CAN, MEX, MYS, NZL, USA, GBR, EU, CHE, HKG, KOR, SAU, ZAF, TUR, RUS	
05.4	SP0022899	FOOT BRACKET LEFT ASS'Y	BES880 ALL COLOURS	ARE, AUS, CAN, MEX, MYS, NZL, USA, GBR, EU, CHE, HKG, KOR, SAU, ZAF, TUR, RUS	
05.5	SP0022900	FOOT FRONT RIGHT 2 ASS'Y	BES880 ALL COLOURS	ARE, AUS, CAN, MEX, MYS, NZL, USA, GBR, EU, CHE, HKG, KOR, SAU, ZAF, TUR, RUS	
05.6	SP0022901	FOOT FRONT LEFT 1 ASS'Y	BES880 ALL COLOURS	ARE, AUS, CAN, MEX, MYS, NZL, USA, GBR, EU, CHE, HKG, KOR, SAU, ZAF, TUR, RUS	
05.7	SP0022902	FOOT BACK LEFT 1 ASS'Y	BES880 ALL COLOURS	ARE, AUS, CAN, MEX, MYS, NZL, USA, GBR, EU, CHE, HKG, KOR, SAU, ZAF, TUR, RUS	
05.8	SP0022903	FOOT BACK RIGHT 2 ASS'Y	BES880 ALL COLOURS	ARE, AUS, CAN, MEX, MYS, NZL, USA, GBR, EU, CHE, HKG, KOR, SAU, ZAF, TUR, RUS	
06	SP0024387	NTC BASE KIT VER A	BES880 ALL COLOURS	ARE, AUS, CAN, MEX, MYS, NZL, USA, GBR, EU, CHE, HKG, KOR, SAU, ZAF, TUR, RUS	NOT BACKWARD COMPATIBLE. For A version & after USC: FROM PDC1823 ANZ: FROM PDC1813 EU/UK: FROM PDC1816 ONCE RUNOUT USE SP0102952
06	SP0102952	NTC BASE ASSY FROM PDC2315	BES880 ALL COLOURS	ARE, AUS, CAN, MEX, MYS, NZL, USA, GBR, EU, CHE, HKG, KOR, SAU, ZAF, TUR, RUS	BACKWARD COMPATIBLE
07	SP0022905	VENTURI ASS'Y PRE PDC1928	BES880 ALL COLOURS	ARE, AUS, CAN, MYS, NZL, USA, GBR, EU, CHE, HKG, KOR, SAU, ZAF, TUR, RUS	NOT FORWARD COMPATIBLE USE ONLY WITH MACHINES PRIOR TO PDC1927. ONCE RUNOUT USE SP0027544
07	SP0027544	VENTURI ASS'Y FROM PDC1927F	BES880 ALL COLOURS	ARE, AUS, CAN, MEX, MYS, NZL, USA, GBR, EU, CHE, HKG, KOR, SAU, ZAF, TUR, RUS	BACKWARD COMPATIBLE PDC1927F
07.17	SP0100013	SILICONE RUBBER TUBE	BES880 ALL COLOURS	EU, GBR, CHE	PART SET ON UK REQ, COMMON FOR ALL REGIONS
08.1	SP0001676	COFFEE SAFETY VALVE ASS'Y	BES880 ALL COLOURS	ARE, AUS, CAN, MEX, MYS, NZL, USA, GBR, EU, CHE, HKG, KOR, SAU, ZAF, TUR, RUS	
08.15	SP0022908	WATER PUMP ASS'Y	BES880 ALL COLOURS	ARE, AUS, GBR, EU, MYS, NZL, CHE, RUS, HKG, TUR, ZAF	PRE PDC 2018
08.15	SP0100182	WATER PUMP ASSY 230V FROM 2018 PDC	BES880 ALL COLOURS	ARE, AUS, GBR, EU, MYS, NZL, CHE, RUS, HKG, TUR, ZAF	New Design Not Backward Compatible
08.18	SP0022909	FLOW METER ASS'Y	BES880 ALL COLOURS	ARE, AUS, CAN, MEX, MYS, NZL, USA, GBR, EU, CHE, HKG, KOR, SAU, ZAF, TUR, RUS	
08.21	SP0022910	BRAIDED SILICON TUBE ASS'Y	BES880 ALL COLOURS	ARE, AUS, CAN, MEX, MYS, NZL, USA, GBR, EU, CHE, HKG, KOR, SAU, ZAF, TUR, RUS	
09	SP0022912	UPPER VALVE ASS'Y	BES880 ALL COLOURS	ARE, AUS, MYS, NZL, GBR, EU, CHE, HKG, KOR, SAU, ZAF, TUR, RUS	
09.2	SP0022914	SOLENOID VALVE (3/2) B ASS'Y	BES880 ALL COLOURS	ARE, AUS, MYS, NZL, GBR, EU, CHE, HKG, KOR, SAU, ZAF, TUR, RUS	
09.6	SP0022916	SOLENOID VALVE (3/2) A ASS'Y	BES880 ALL COLOURS	ARE, AUS, MYS, NZL, GBR, EU, CHE, HKG, KOR, SAU, ZAF, TUR, RUS	
10	SP0022918	LOWER VALVE ASS'Y	BES880 ALL COLOURS	ARE, AUS, MYS, NZL, GBR, EU, CHE, HKG, KOR, SAU, ZAF, TUR, RUS	
10.2	SP0022920	LOWERSOLENOID VALVE ASS'Y	BES880 ALL COLOURS	ARE, AUS, MYS, NZL, GBR, EU, CHE, HKG, KOR, SAU, ZAF, TUR, RUS	
11	SP0022921	PURGE TUBE ASS'Y	BES880 ALL COLOURS	ARE, AUS, CAN, MEX, MYS, NZL, USA, GBR, EU, CHE, HKG, KOR, SAU, ZAF, TUR, RUS	
12	SP0024388	WATER DISPENSER ASS'Y	BES880 ALL COLOURS	ARE, AUS, CAN, MEX, MYS, NZL, USA, GBR, EU, CHE, HKG, KOR, SAU, ZAF, TUR, RUS	
12.2	SP0025526	SHOWER GASKET	BES880 ALL COLOURS	ARE, AUS, CAN, MEX, MYS, NZL, USA, GBR, EU, CHE, HKG, KOR, SAU, ZAF, TUR, RUS	
12.3	SP0025527	SHOWER FILTER	BES880 ALL COLOURS	ARE, AUS, CAN, MEX, MYS, NZL, USA, GBR, EU, CHE, HKG, KOR, SAU, ZAF, TUR, RUS	
12.4	SP0024393	SCREW(FLAT/SL SLOTTED )	BES880 ALL COLOURS	ARE, AUS, CAN, MEX, MYS, NZL, USA, GBR, EU, CHE, HKG, KOR, SAU, ZAF, TUR, RUS	Once it runs out, use SP0025528.
12.4	SP0025528	HOLLOW CENTER SCREW	BES880 ALL COLOURS	ARE, AUS, CAN, MEX, MYS, NZL, USA, GBR, EU, CHE, HKG, KOR, SAU, ZAF, TUR, RUS	Not backward compatible

13	SP0022923	PRINTED HEATER HOLDER ASSEMBLY	BES880 ALL COLOURS	ARE, AUS, EU, GBR, CHE, RUS, MYS, NZL, HKG, KOR, SAU, TUR, ZAF	PRE PDC2018 and if part runs out, use SP0100184 with new EMC PCBA ASSY SP0100186 and blue lead wire SP0100187
13	SP0100184	PRINTED HEATER ASSY 240V PHASE 1 FROM 2018 PDC	BES880 ALL COLOURS	ARE, AUS, MYS, NZL, GBR, EU, CHE, HKG, KOR, SAU, ZAF, TUR, RUS	Use only with new EMC PCBA ASSY SP0100186
14	SP0024399	GROUP HEAD ASSEMBLY	BES880 ALL COLOURS	ARE, AUS, CAN, MEX, MYS, NZL, USA, GBR, EU, CHE, HKG, KOR, SAU, ZAF, TUR	
15	SP0022924	HOT WATER TUBE ASSEMBLY	BES880 ALL COLOURS	ARE, AUS, CAN, MEX, MYS, NZL, USA, GBR, EU, CHE, HKG, KOR, SAU, ZAF, TUR, RUS	
16	SP0022925	STEAM WAND ASSEMBLY	BES880 ALL COLOURS	ARE, AUS, CAN, MEX, MYS, NZL, USA, GBR, EU, CHE, HKG, KOR, SAU, ZAF, TUR, RUS	
16.19	SP0022926	STEAM NOZZLE WITH O-RING ASSEMBLY	BES880 ALL COLOURS	ARE, AUS, CAN, MEX, MYS, NZL, USA, GBR, EU, CHE, HKG, KOR, SAU, ZAF, TUR, RUS	
17.1	SP0022927	DRIP TRAY ASSEMBLY	BES880BSS	ARE, AUS, CAN, EU, GBR, CHE, MEX, MYS, NZL, USA, HKG, KOR, SAU, TUR, ZAF, RUS	
17.1	SP0026104	DRIP TRAY ASSEMBLY	BES880BKS	EU, GBR	
17.1	SP0025816	DRIP TRAY ASSEMBLY	BES880BTR	AUS, NZL, GBR, EU, CHE	
17.1	SP0025817	DRIP TRAY ASSEMBLY	BES880SHY	GBR, EU	
17.1	SP0025818	TRAY DRIP ASSY SST	BES880SST	EU, GBR, CAN, MEX, USA	
17.1	SP0100859	TRAY DRIP KIT BST	BES880BST	AUS, NZL, GBR, EU, CAN, MEX, USA	
17.2	SP0100861	PANEL DRIP TRAY HANDLE BST	BES880BST	AUS, NZL, GBR, EU, CAN, MEX, USA	
17.4	SP0022928	Drip Tray Float assembly	BES880 ALL COLOURS	ARE, AUS, CAN, MEX, MYS, NZL, USA, GBR, EU, CHE, HKG, KOR, SAU, ZAF, TUR	
17.5	SP0022929	DRIP TRAY LID ASSEMBLY	BES880 ALL COLOURS	ARE, AUS, CAN, MEX, MYS, NZL, USA, GBR, EU, CHE, HKG, KOR, SAU, ZAF, TUR	
17.6	SP0022930	DRIP TRAY PLATE ASSEMBLY	BES880 ALL COLOURS	ARE, AUS, CAN, MEX, MYS, NZL, USA, GBR, EU, CHE, HKG, KOR, SAU, ZAF, TUR, RUS	
18	SP0022931	REAR PANEL ASSEMBLY	BES880BSS	ARE, AUS, CAN, EU, GBR, MEX, MYS, NZL, USA, HKG, KOR, SAU, TUR, ZAF, CHE, RUS	
18	SP0026113	REAR PANEL ASSEMBLY	BES880BKS	GBR, EU	
18	SP0025819	REAR PANEL ASSEMBLY	BES880BTR	AUS, CAN, GBR, MEX, NZL, USA, CHE, EU	
18	SP0025820	REAR PANEL ASSEMBLY	BES880SHY	GBR, EU	
18	SP0025821	PANEL REAR ASSY SST	BES880SST	EU, GBR, CAN, MEX, USA	
18	SP0100863	PANEL KIT REAR BST	BES880BST	AUS, NZL, GBR, EU, CAN, MEX, USA	
19	SP0023936	WATER TANK ASSEMBLY	BES880BSS	EU, CHE	
19	SP0026115	WATER TANK ASSEMBLY	BES880BKS	EU	
19	SP0025826	WATER TANK ASSEMBLY	BES880BTR	CHE, EU	
19	SP0025827	WATER TANK ASSEMBLY	BES880SHY	EU	
19	SP0025828	WATER TANK ASSEMBLY	BES880SST	EU	
19	SP0101458	TANK WATER KIT EU BST	BES880BST	EU	

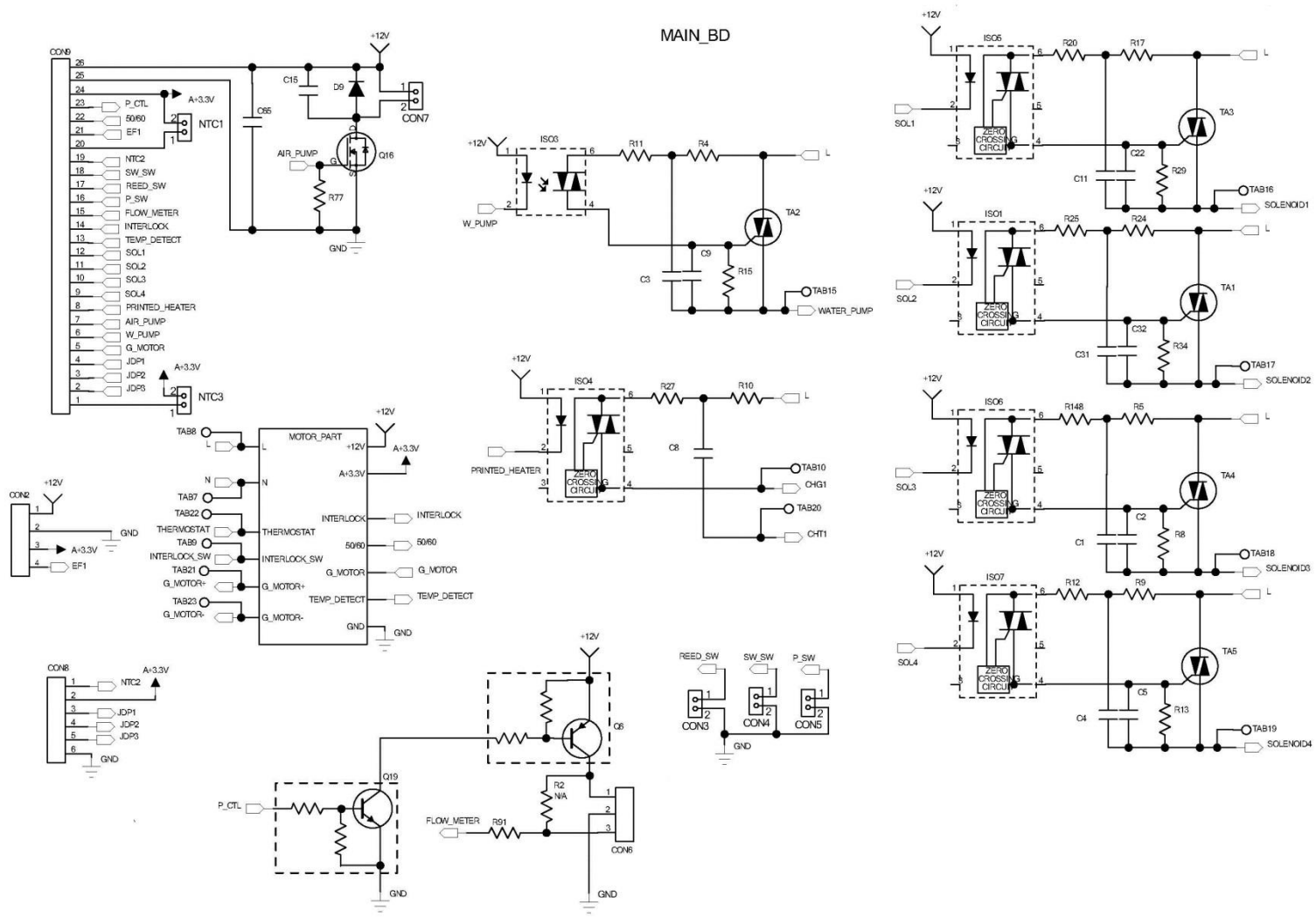
19.5	SES008WHTONEU1	CLARIS FILTER ASSEMBLY	BES880 ALL COLOURS	ARE, AUS, MYS, NZL, GBR, EU, CHE, HKG, KOR, SAU, ZAF, TUR, RUS	
19.6	SP0022472	CLARIS FILTER HOLDER ASS'Y	BES880 ALL COLOURS	ARE, AUS, CAN, MEX, MYS, NZL, USA, GBR, EU, CHE, HKG, KOR, SAU, ZAF, TUR, RUS	
20	SP0023222	GRINDER ASSEMBLY FOR FULLNICE BURR	BES880 ALL COLOURS	ARE, AUS, MYS, NZL, GBR, EU, CHE, HKG, KOR, SAU, ZAF, TUR, RUS	Once it runs out, use SP0027545
20	SP0027545	GRINDER ASSEMBLY FOR ETZINGER BURR	BES880 ALL COLOURS	ARE, AUS, MYS, NZL, GBR, EU, CHE, HKG, KOR, SAU, ZAF, TUR, RUS	BACKWARD COMPATIBLE PDC1927F
20.3	SP0001801	OUTER BURR	BES880 ALL COLOURS	ARE, AUS, CAN, MEX, MYS, NZL, USA, GBR, EU, CHE, HKG, KOR, SAU, ZAF, TUR, RUS	FOR FULLNICE BURR PRE PDC1926
20.3	SP0027464	OUTER BURR	BES880 ALL COLOURS	ARE, AUS, CAN, MEX, MYS, NZL, USA, GBR, EU, CHE, HKG, KOR, SAU, ZAF, TUR, RUS	FOR ETZINGER BURR FROM PDC1927F
20.45	SP0023350	ADJUST DIAL	BES880 ALL COLOURS	ARE, AUS, CAN, MEX, MYS, NZL, USA, GBR, EU, CHE, HKG, KOR, SAU, ZAF, TUR, RUS	
20.46	SP0001806	INNER BURR ASSEMBLY	BES880 ALL COLOURS	ARE, AUS, CAN, MEX, MYS, NZL, USA, GBR, EU, CHE, HKG, KOR, SAU, ZAF, TUR, RUS	FOR FULLNICE BURR PRE PDC1926
20.46	SP0027463	INNER BUR ASSEMBLY	BES880 ALL COLOURS	ARE, AUS, CAN, MEX, MYS, NZL, USA, GBR, EU, CHE, HKG, KOR, SAU, ZAF, TUR, RUS	FOR ETZINGER BURR FROM PDC1927F
21.8	SP0001515	PORTA FILTER ASSEMBLY	BES880 ALL COLOURS	ARE, AUS, CAN, MEX, MYS, NZL, USA, GBR, EU, CHE, HKG, KOR, SAU, ZAF, TUR, RUS	Once it runs out, use SP0027237
21.8	SP0027237	FILTER HOLDER & HANDLE ASSY- NEW VER	BES880 ALL COLOURS	ARE, AUS, CAN, MEX, MYS, NZL, USA, GBR, EU, CHE, HKG, KOR, SAU, ZAF, TUR, RUS	PDC1919
21	SP0027238	FILTER HOLDER SPRING-NEW VER	BES880 ALL COLOURS	ARE, AUS, CAN, MEX, MYS, NZL, USA, GBR, EU, CHE, HKG, KOR, SAU, ZAF, TUR, RUS	PDC1919
21.9	SP0001517	CLEANNING INSERT ASSEMBLY	BES880 ALL COLOURS	ARE, AUS, CAN, MEX, MYS, NZL, USA, GBR, EU, CHE, HKG, KOR, SAU, ZAF, TUR, RUS	
21.10	SP0001520	SINGLE WALL DOUBLE CUP FILTER ASSEMBLY	BES880 ALL COLOURS	ARE, AUS, CAN, MEX, MYS, NZL, USA, GBR, EU, CHE, HKG, KOR, SAU, ZAF, TUR, RUS	
21.11	SP0001518	SINGLE WALL SINGLE CUP FILTER ASSEMBLY	BES880 ALL COLOURS	ARE, AUS, CAN, MEX, MYS, NZL, USA, GBR, EU, CHE, HKG, KOR, SAU, ZAF, TUR, RUS	
21.12	SP0001519	DUAL WALL DOUBLE CUP FILTER ASSEMBLY	BES880 ALL COLOURS	ARE, AUS, CAN, MEX, MYS, NZL, USA, GBR, EU, CHE, HKG, KOR, SAU, ZAF, TUR, RUS	
21.13	SP0001521	DUAL WALL SINGLE CUP FILTER ASSEMBLY	BES880 ALL COLOURS	ARE, AUS, CAN, MEX, MYS, NZL, USA, GBR, EU, CHE, HKG, KOR, SAU, ZAF, TUR, RUS	
22	SP0001516	TAMPER ASSEMBLY	BES880 ALL COLOURS	ARE, AUS, CAN, MEX, MYS, NZL, USA, GBR, EU, CHE, HKG, KOR, SAU, ZAF, TUR, RUS	
23.3	SP0023378	CLEANING TOOL ASSEMBLY	BES880 ALL COLOURS	ARE, AUS, CAN, MEX, MYS, NZL, USA, GBR, EU, CHE, HKG, KOR, SAU, ZAF, TUR	
23.6	SP0024403	TOOL BRUSH ASSEMBLY	BES880 ALL COLOURS	GBR, EU, CHE	Once it runs out, use SP0001876
23.6	SP0001876	GRINDER BRUSH	BES880 ALL COLOURS	ARE, AUS, CAN, MEX, MYS, NZL, USA, GBR, EU, CHE, HKG, KOR, SAU, ZAF, TUR	Without logo
23.7	SP0022933	STORAGE TRAY	BES880 ALL COLOURS	ARE, AUS, CAN, MEX, MYS, NZL, USA, GBR, EU, CHE, HKG, KOR, SAU, ZAF, TUR	
24	SP0020742	MILK JUG ASSEMBLY	BES880 ALL COLOURS	ARE, AUS, CAN, MEX, MYS, NZL, USA, GBR, EU, CHE, HKG, KOR, SAU, ZAF, TUR, RUS	Once it runs out, use SP0011391
24	SP0011391	MILK JUG ASSEMBLY	BES880 ALL COLOURS	ARE, AUS, CAN, MEX, MYS, NZL, USA, GBR, EU, CHE, HKG, KOR, SAU, ZAF, TUR, RUS	
25	SP0023352	TRIAC PCBA ASSEMBLY	BES880 ALL COLOURS	ARE, AUS, MYS, NZL, GBR, EU, CHE, HKG, KOR, SAU, ZAF, TUR, RUS	
26	SP0023353	MAIN PCBA ASSEMBLY	BES880 ALL COLOURS	ARE, AUS, MYS, NZL, GBR, EU, CHE, HKG, KOR, SAU, ZAF, TUR, RUS	
27	SP0022935	EMC PCBA ASSEMBLY (SCREW COLUMN ASYMMETRY)	BES880 ALL COLOURS	ARE, AUS, MYS, NZL, GBR, EU, CHE, HKG, KOR, SAU, ZAF, TUR, RUS	PRE PDC2018, once it runs out use SP0100186 with phase 1 printed heater SP0100184 and blue lead wire SP0100187
27	SP0100186	EMC PCBA ASSY 240V (SCREW COLUMN ASYMMETRY) FROM 2018 PDC	BES880 ALL COLOURS	ARE, AUS, MYS, NZL, GBR, EU, CHE, HKG, KOR, SAU, ZAF, TUR, RUS	Not backward compatible. Only for phase 1 heater SP0100184

28	SP0022936	AIR PUMP ASSEMBLY	BES880 ALL COLOURS	ARE, AUS, USA, CAN, MEX, MYS, NZL, GBR, EU, CHE, HKG, KOR, SAU, ZAF, TUR, RUS	
29	SP0025700	SCREW COVER GREY-GREY	BES880BSS	ARE, AUS, CAN, EU, GBR, MEX, MYS, NZL, USA, CHE, RUS, HKG, KOR, SAU, TUR, ZAF	
29	SP0025702	SCREW COVER GREY-BLACK	BES880BKS	AUS, CAN, GBR, MEX, NZL, USA, CHE, EU	
29	SP0025829	SCREW COVER GREY-WHITE	BES880SST	EU, GBR	
30	SP0100187	BLUE LEAD WIRE ASSY FOR PHASE 1 HEATER	BES880 ALL COLOURS	ARE, AUS, CAN, MEX, MYS, NZL, USA, GBR, EU, CHE, HKG, KOR, SAU, ZAF, TUR, RUS	For replace dual track heater machine to phase 1 heater machine only applicable to all 120V & 240V verison.
90	SP0001881	HARD WATER TEST PAPER	BES880 ALL COLOURS	ARE, AUS, CAN, MEX, MYS, NZL, USA, GBR, EU, CHE, HKG, KOR, SAU, ZAF, TUR, RUS	

# CIRCUIT DIAGRAM 1 OF 15

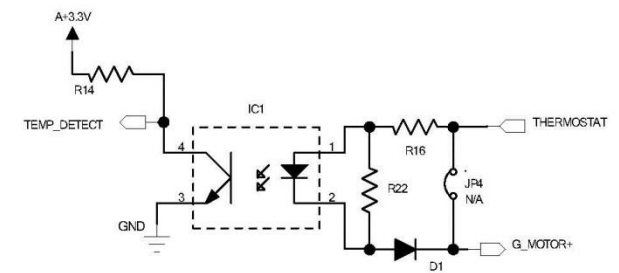
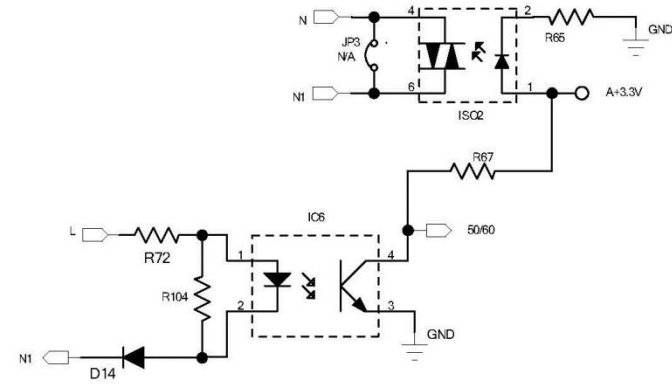
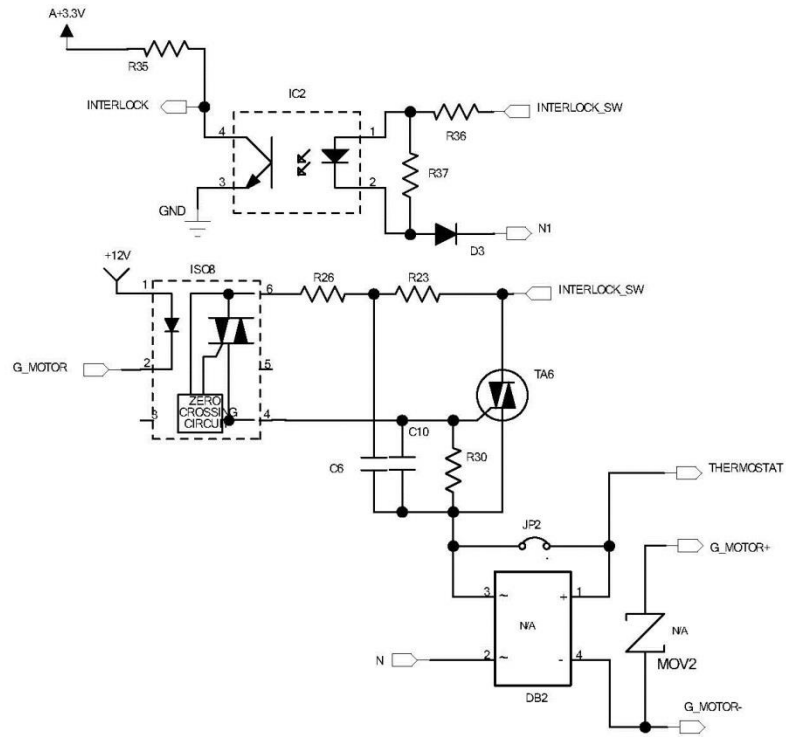


# CIRCUIT DIAGRAM 2 OF 15

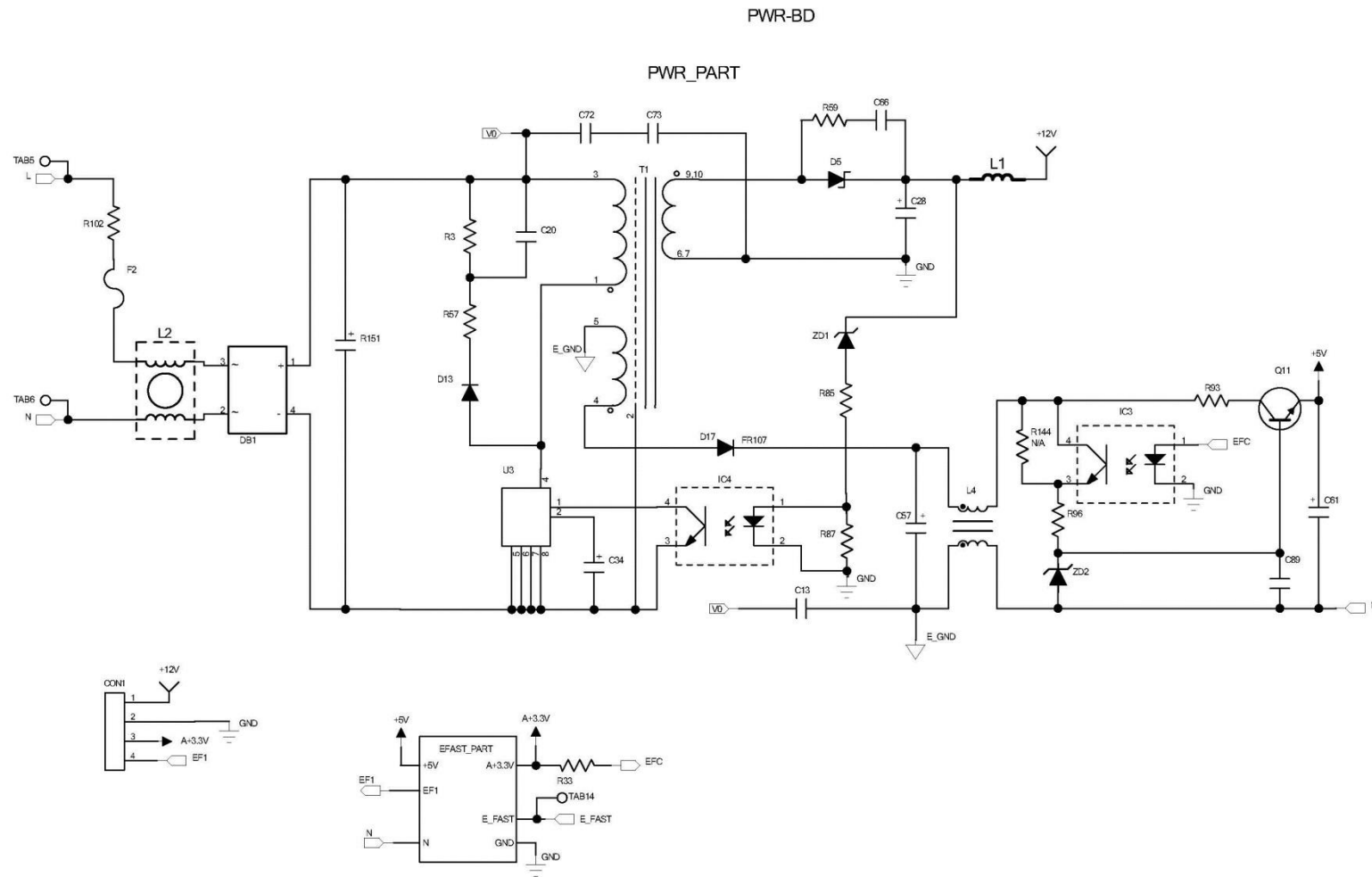


# CIRCUIT DIAGRAM 3 OF 15

## MOTOR\_PART

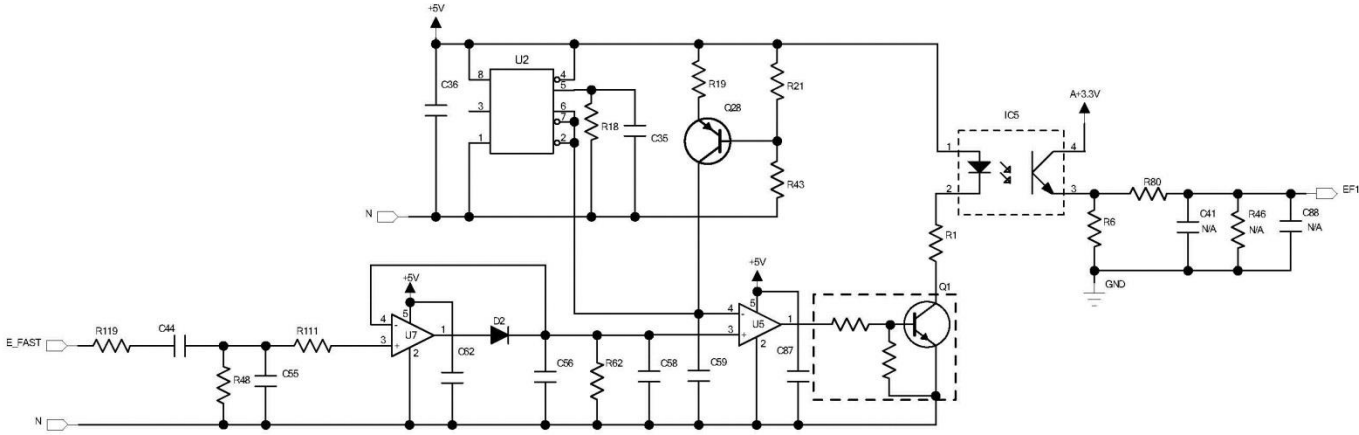


# CIRCUIT DIAGRAM 4 OF 15



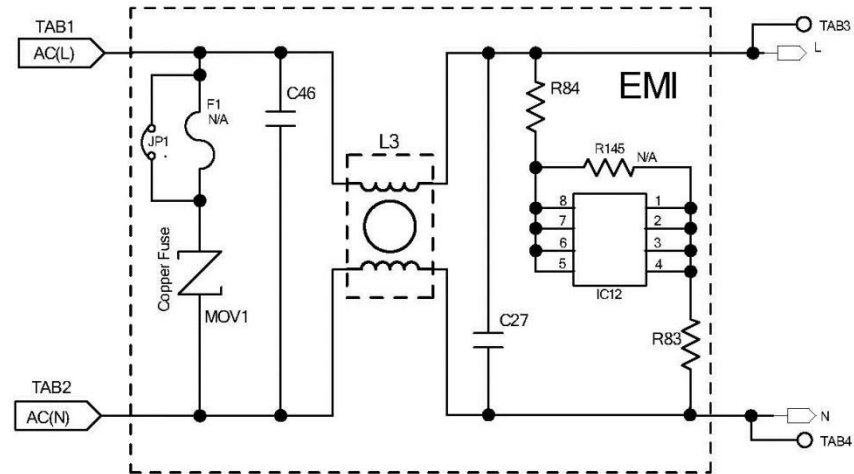
CIRCUIT DIAGRAM 5 OF 15

EFAST\_PART

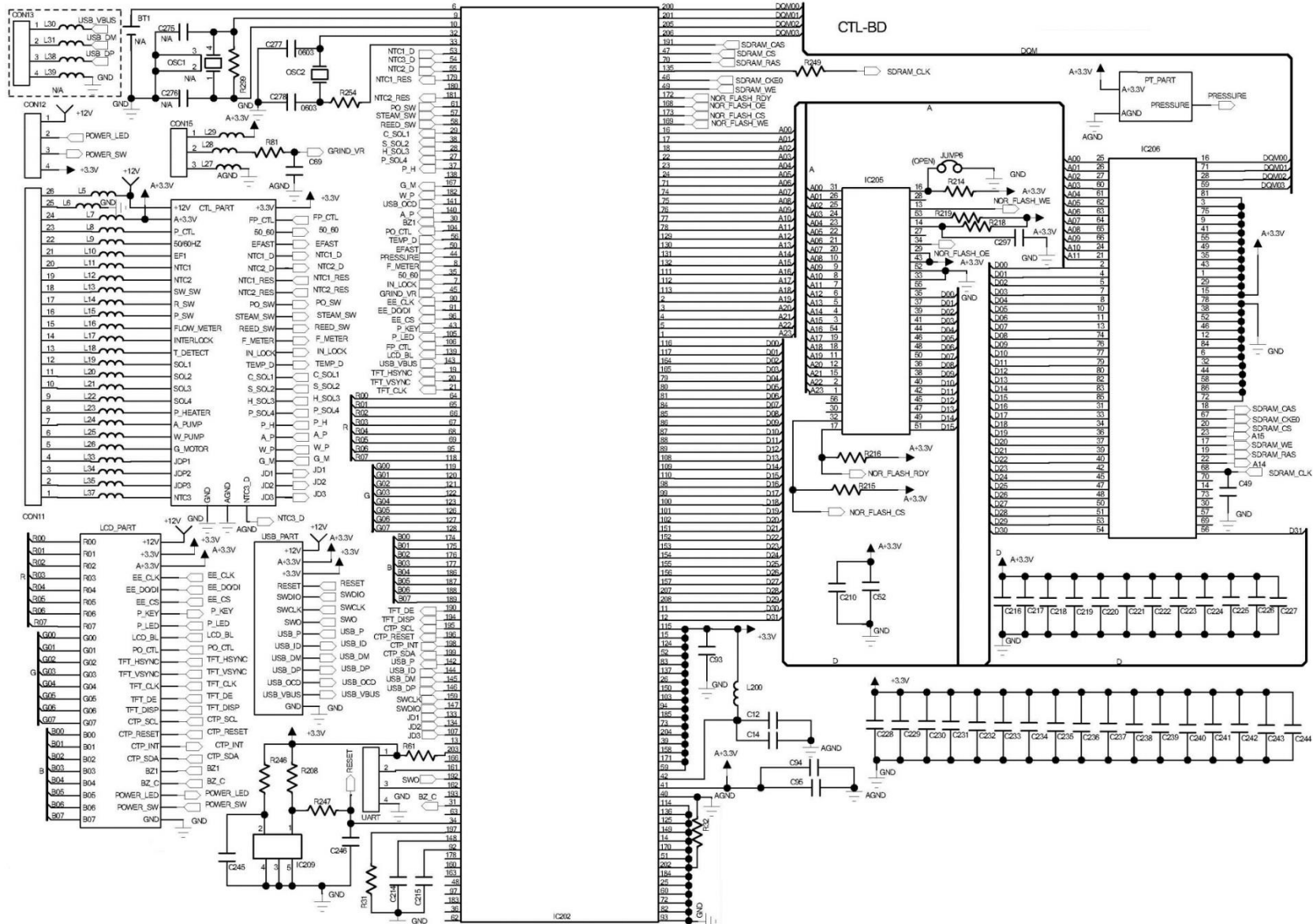


# CIRCUIT DIAGRAM 6 OF 15

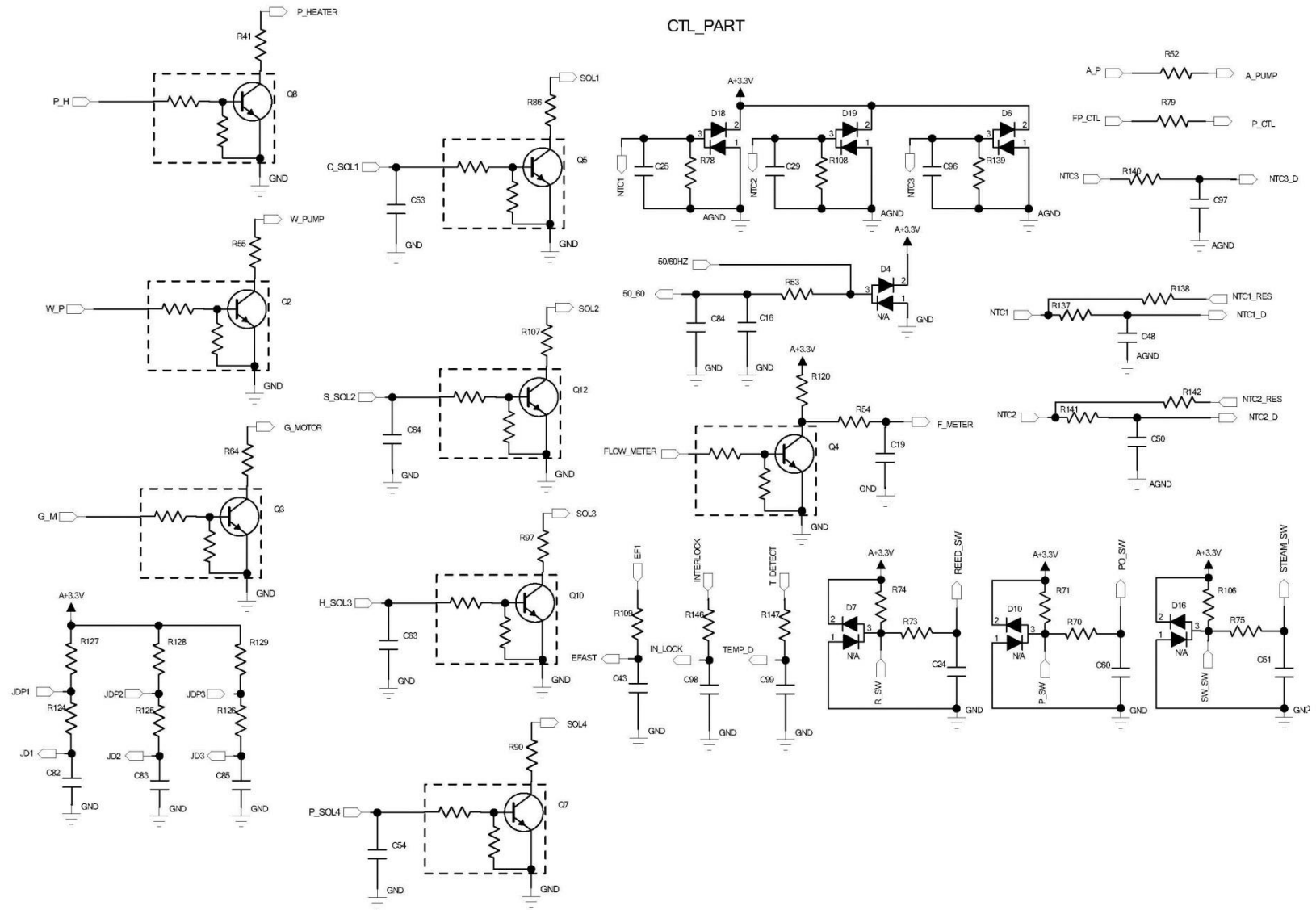
## EMI-BD



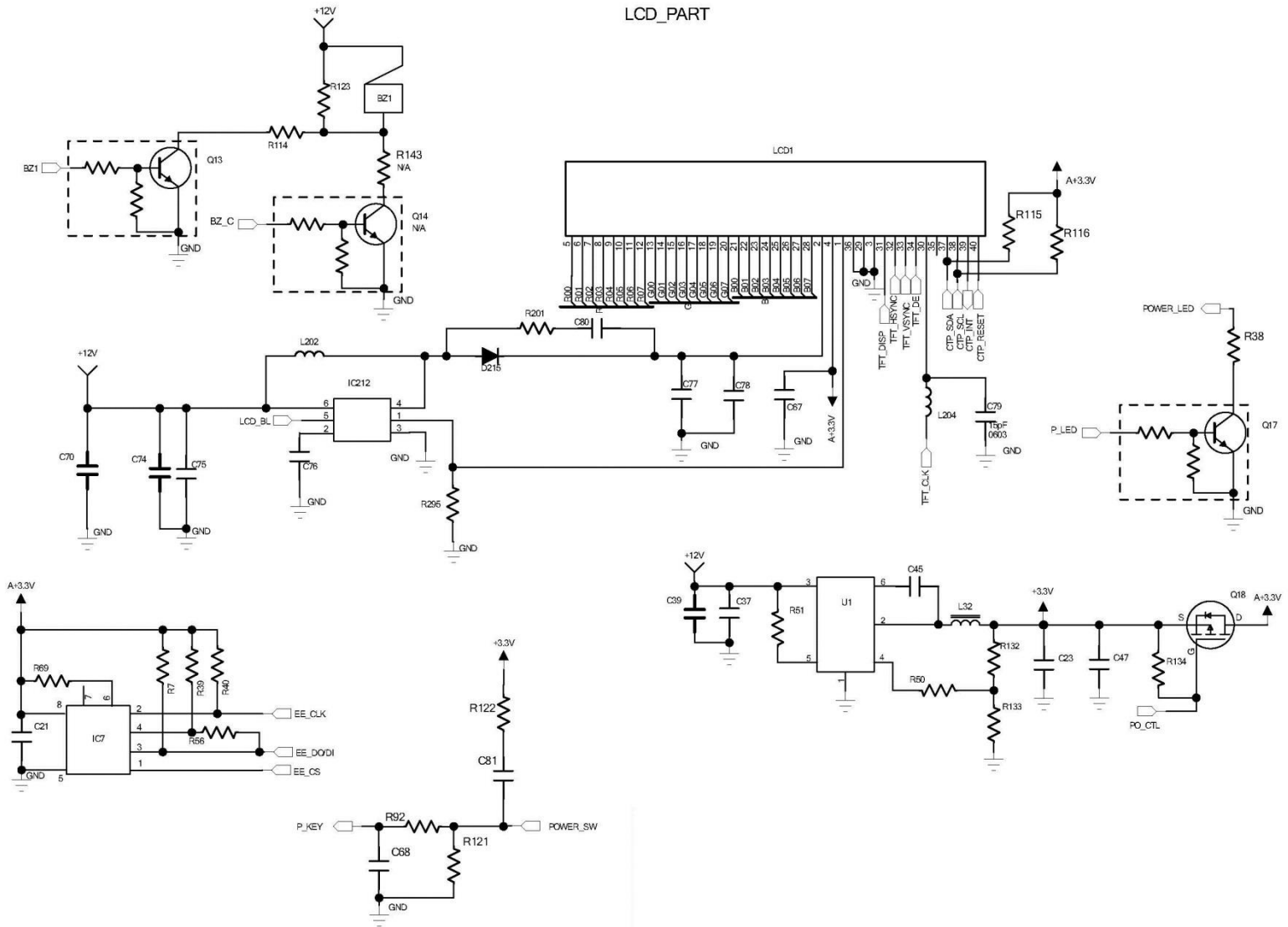
# CIRCUIT DIAGRAM 7 OF 15



# CIRCUIT DIAGRAM 8 OF 15

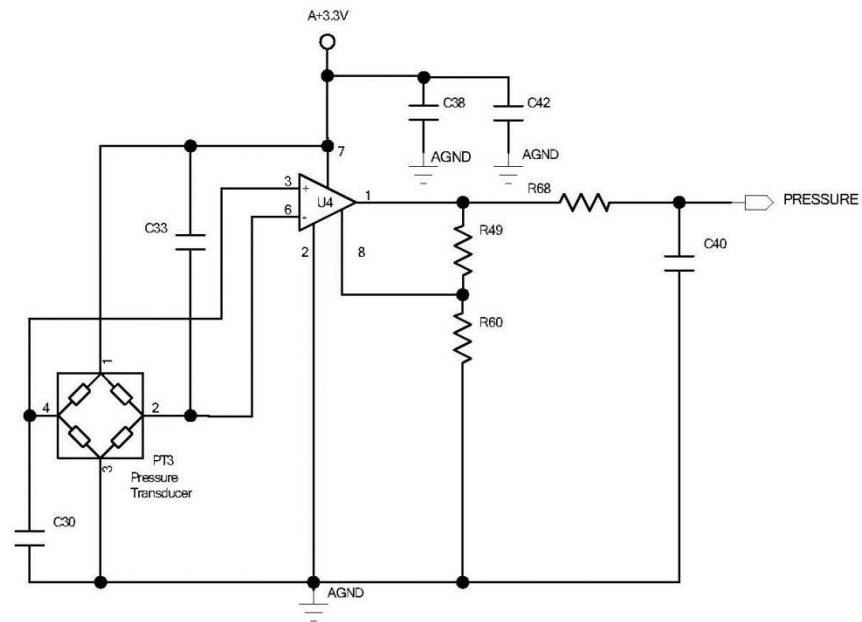


# CIRCUIT DIAGRAM 9 OF 15



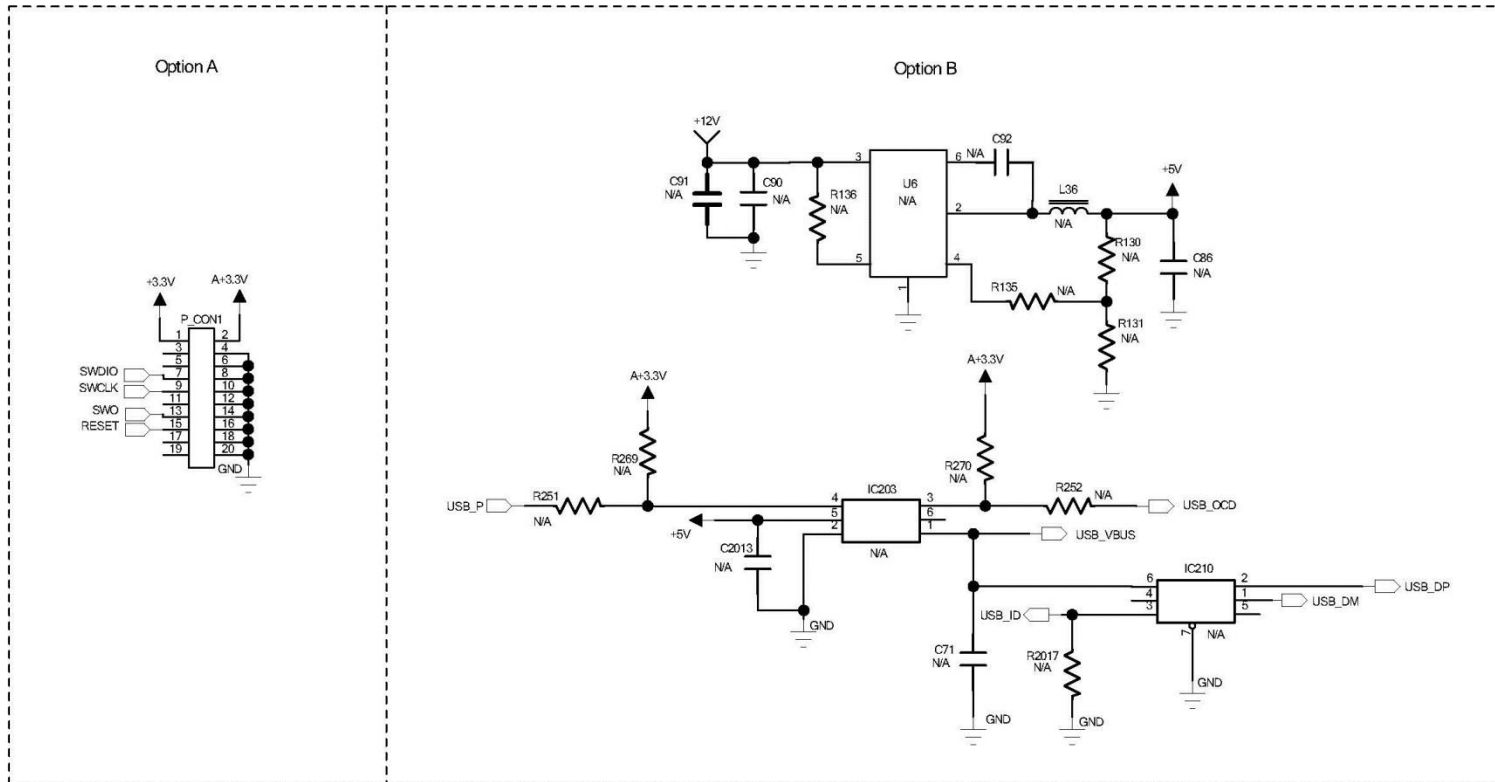
# CIRCUIT DIAGRAM 10 OF 15

## PT\_PART



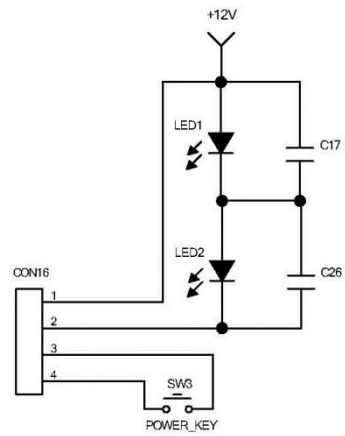
# CIRCUIT DIAGRAM 11 OF 15

## USB\_PART



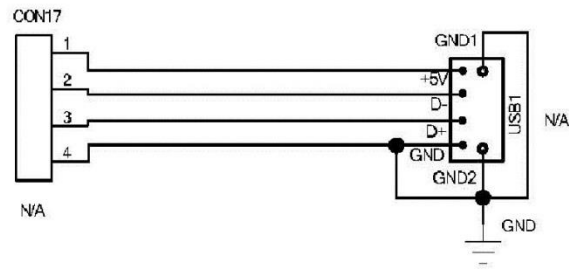
# CIRCUIT DIAGRAM 12 OF 15

## BUTTON-BD



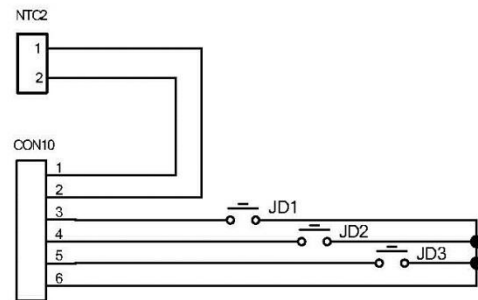
# CIRCUIT DIAGRAM 13 OF 15

## USB-BD



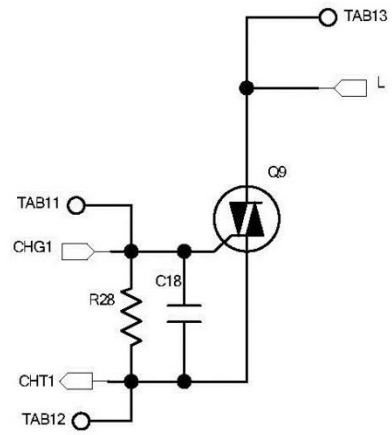
# CIRCUIT DIAGRAM 14 OF 15

JD-BD

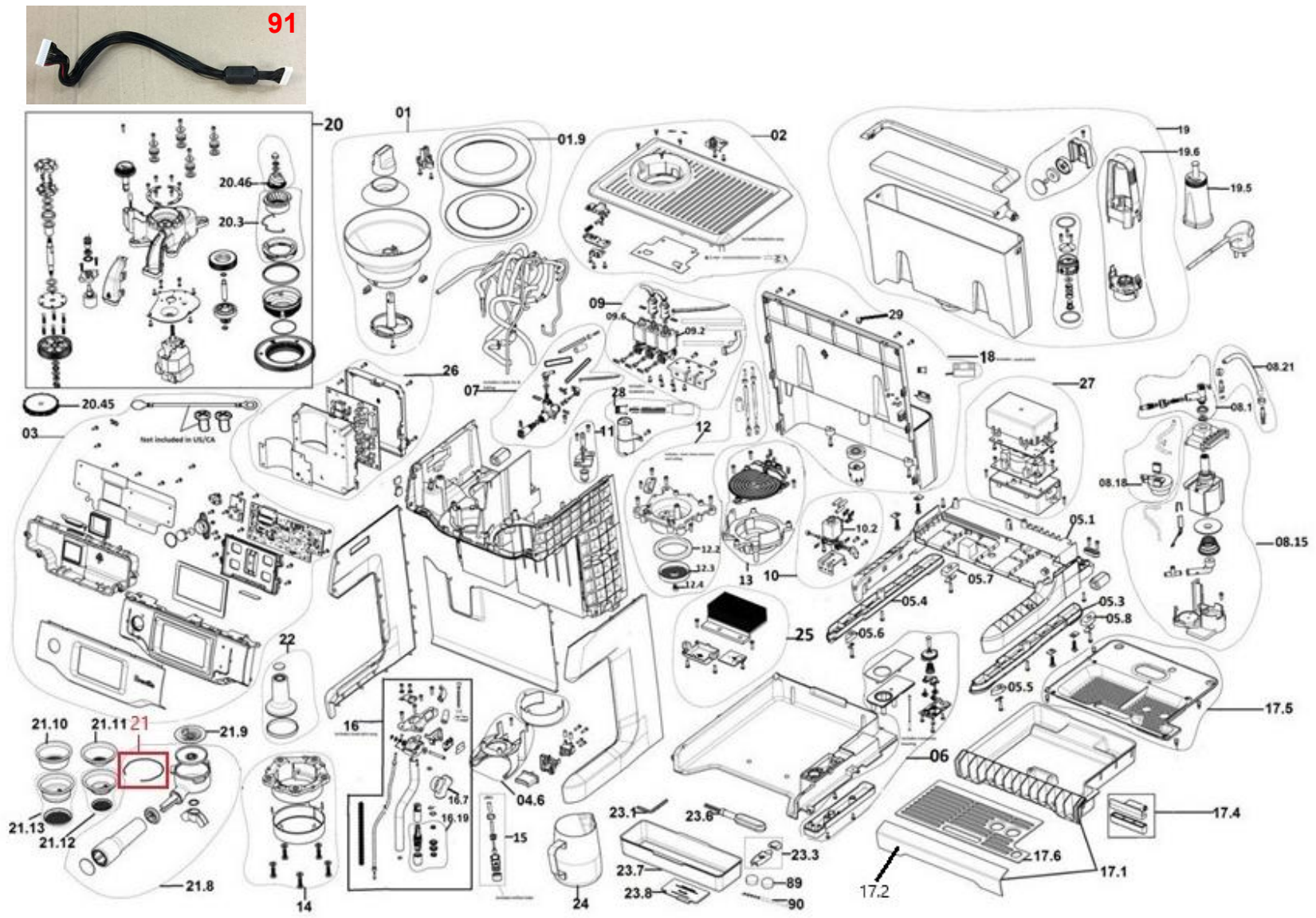


# CIRCUIT DIAGRAM 15 OF 15

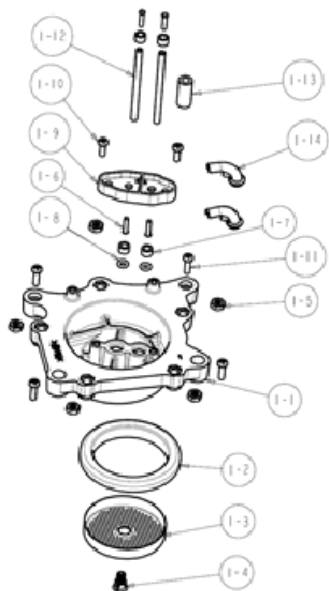
## TRIAC\_PCB



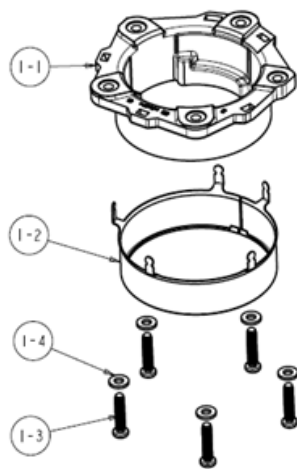
# EXPLODED VIEW



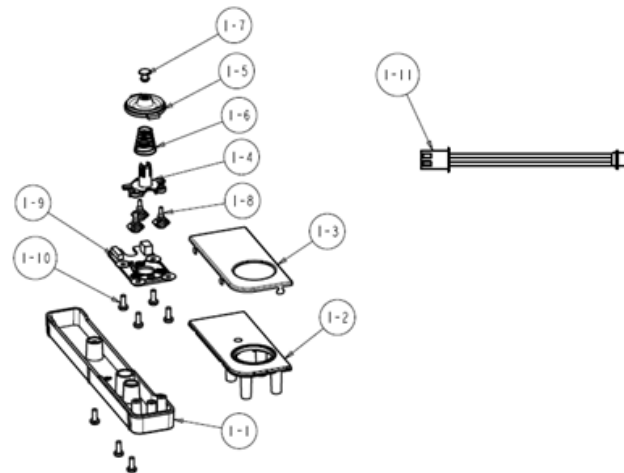
Version A



**12A**

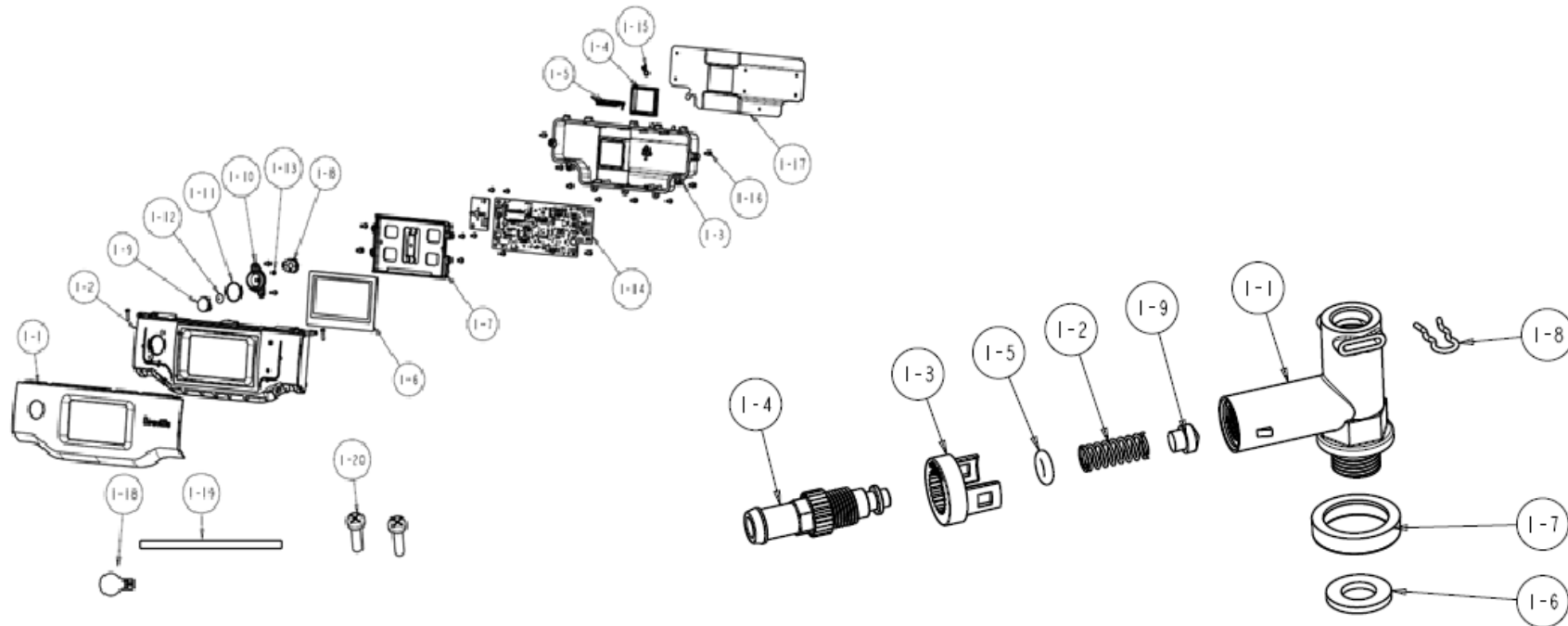


**14A (M5X24 Screws)**



**06A**

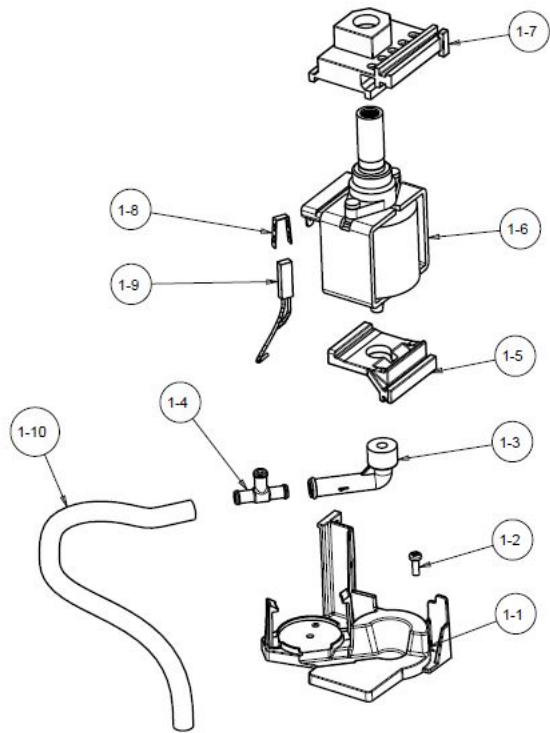
Version A



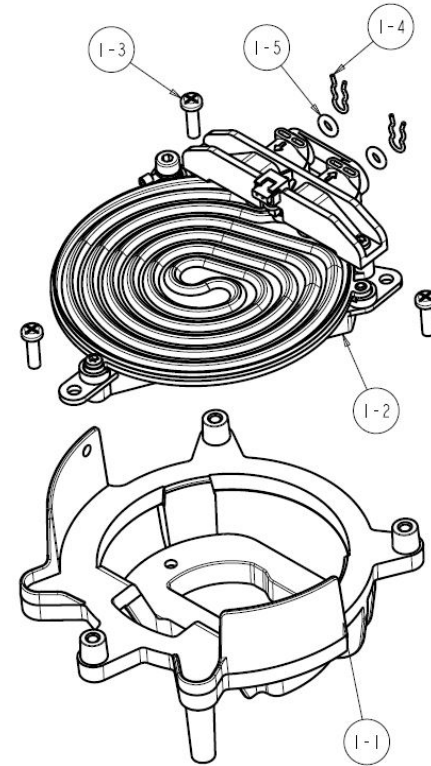
**03A**

**08.1A** (Same as BES920 OPV)

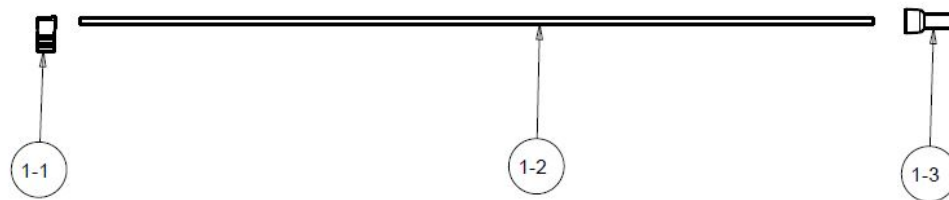
Version A



**08.15A**



**13A**



**30**